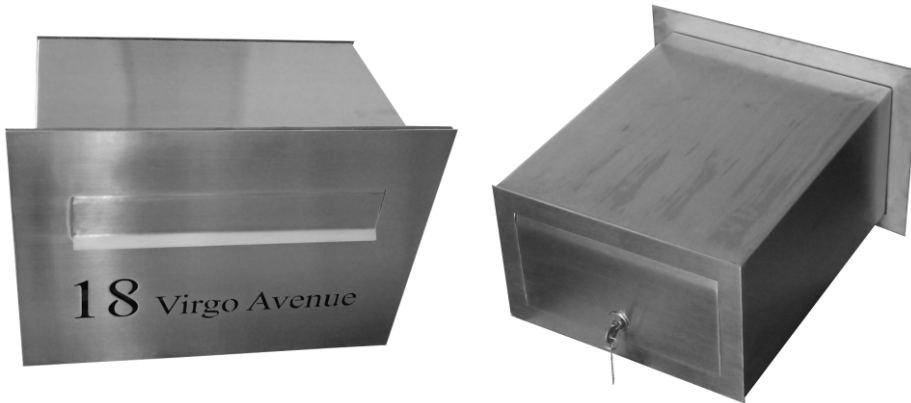




**Savy Design's Rear-Opening Letterbox Units** are designed to be built into a boundary wall. The outer face includes a flap and can include lasercut street numbers and names. The letterbox's front face fits hard-up against the outside of the wall, with the housing and inner door projecting through the wall.



### Dimensions:

We use the EU Letterbox Standard as a guideline for our letterbox dimensions. This requires that a C4-sized envelope (229 x 324mm) be inserted without bending. The opening dimensions required in the wall are indicated below.

### Materials:

We fabricate our letterboxes from brushed stainless steel in the following grades:

- Grade 316 for external applications in coastal areas
- Grade 304 for internal or inland applications

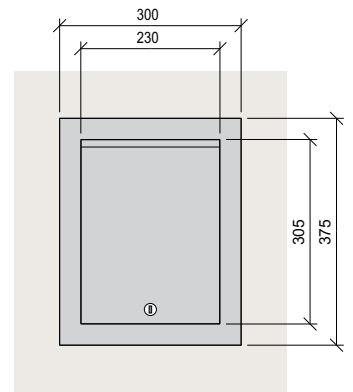
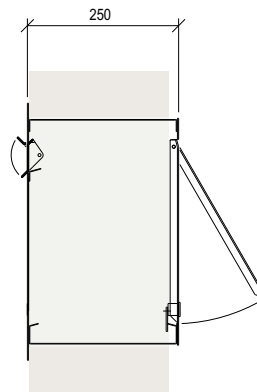
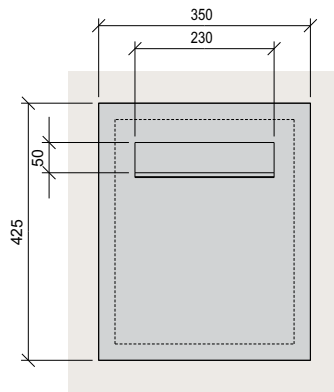
### Locks:

The letterboxes are fitted with camlocks and each supplied with 2 keys.

### Portrait Orientation

#### Opening in wall required:

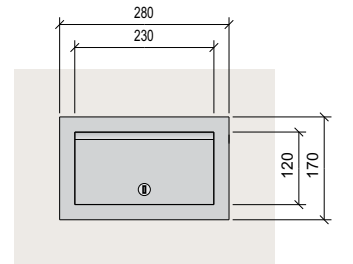
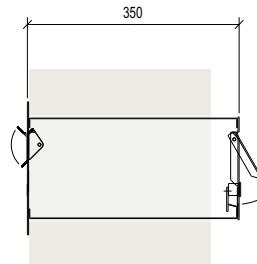
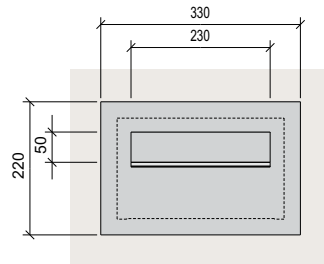
- Width 305mm
- Height 380mm
- Maximum wall thickness 230mm



### Standard Size - Landscape Orientation

#### Opening in wall required:

- Width 285mm
- Height 175mm
- Maximum wall thickness 330mm



### Extra Large - Landscape Orientation

#### Opening in wall required:

- Width 400mm
- Height 275mm
- Maximum wall thickness 300mm

